

Resilient Seat Butterfly Valves



D-207

Valves

Resilient Seat Butterfly Valves are now available in sizes up to 20-inches. Excellent for isolation applications, two-way and floating Butterfly Valves provide 2-position (On/Off) floating and modulating control. Floating Butterfly Valves are available in a variety of configurations.

This catalog contains information on sizes 2 through 12-inches. For larger sizes, please contact Customer Care.

Valve Size	2-way	Floating	Pneumatic	SR Electronic	NSR Electronic	In Catalog
2 to 12"	•	•	•	2 to 4"	2 to 12"	•
14 to 20"	•	•	•	—	•	Contact Customer Care.

For sizing information on Butterfly Valves, refer to page I-16 in the Engineering Section.

FREE Valve Tagging

Perfect for large and complex jobs! Simply specify each valve's location when placing your initial order and we will tag them before shipping, saving you time and expense. And, use the online order form to place orders easily — once you enter a valve or valve actuator part number, a text box accepts tag information.

Try out this FREE service today. Give us a call at 1-888-593-7876 or visit us online at www.usa.siemens.com/buildingtechnologiesonlineordering



Two-way and Floating Resilient Seat Valve Assemblies



2-way Butterfly Valve with pneumatic actuator.



Floating Butterfly Valve with pneumatic actuators tandem mounted.



2-way Butterfly Valve with electronic actuator.



Floating Butterfly Valve with electronic actuators tandem mounted.

Description

Available in two-way and floating arrangements for two-position (On/Off), floating and modulating control, Resilient Seat Butterfly Valve Assemblies provide bubble-tight shutoff for the assemblies' full-rated pressure.

Features

- Molded-in resilient seat provides bubble-tight shutoff to 150 psi
- Operating temperature up to 250°F (120°C)
- Lugged body is drilled and tapped for isolation and removal of downstream piping at full-rated pressure
- Round, polished disc and hub edge provides 360 degree concentric seating, minimum flow restriction, lower torques and longer seat life
- Upper and lower inboard bronze bearings ensure longer service life with low operating torques
- Thru-stem design provides high strength and positive disc control with standardized end connection for operator interchangeability
- Extended neck allows adequate clearance for flanges and insulation
- Bi-directional, select adjusting stem seat is suitable for vacuum and pressure while preventing external contamination of the stem area
- Heavy-duty corrosion resistant top bushing, absorbs actuator side thrust
- Cast-in top plate is an integral part of the body and is standardized to allow direct mounting of actuators
- Each valve is factory tested to 110 percent of specified pressure rating
- Available in multiple configurations to match jobsite needs.

Applications

Butterfly Valve assemblies provide excellent flow control of hot water, chilled water, condenser water, and thermal storage systems applications.

D-209

Valves

Part Number Configuration

D-210

Valves

Assembly Configuration		Manual Override	
BV 2W 02 F S2 L O X X X X		<i>Add accessories by simply replacing the X with the appropriate letter.</i>	
2W 2-way 3W 3-way		M Manual Override for S2, S6 & D6 (non-Std) (Pneumatic actuator only) X Not Used	
Valve Size		Heater	
02 2-inch 25 2.5-inch 03 3-inch to 16 16-inch 18 18-inch 20 20-inch		H Heater (must be used with EM and EP, opt. with E2) X Not Used	
Disc Type		Actuator Type	
F Full Cut Disc - 150 psi Shut off U Under Cut Disc 100 psi tight shutoff 2-6" 50 psi tight shutoff 8"+		S Limit (End) Switch for S2, S6, D6 Actuators (Non-std) A Limit (End) Switch for G1, G2, G4, G5, G7, and G8 Actuators (Non-std) X Not Used	
Actuator Type		Actuator Accessories/Options	
S2 ³ Pneumatic Spring Return 30 psi S6 Pneumatic Spring Return 60 psi D6 Pneumatic Double Acting 60 psi E2 Electric 2-position/Floating, 24-240 Vac/Vdc EM Electric Modulating 0-10 Vdc, 24-240 Vac/Vdc EP Electric Modulating 4-20 mA, 24-240 Vac/Vdc G1 ¹ Electric Spring Return, On/Off, 120 Vac G2 ¹ Electric Spring Return, On/Off, 24 Vac G3 ¹ Electric Spring Return, Floating, 24 Vac G4 ¹ Electric Spring Return, Modulating 0-10 V, 24 Vac G5 ¹ Electric Spring Return, Modulating 4-20 mA, 24 Vac G6 ² Electric Floating, 24 Vac G7 ² Electric Modulating 0-10 Vdc, 24 Vac G8 ¹ Electric Modulating 4-20 mA, 24 Vac ⁴		P Pneumatic Positioner, 30 psi Actuator Q Pneumatic Positioner, 60 psi Actuator, SR R Pneumatic Positioner, 60 psi Actuator, DA T E/P Valve, 120 Vac, 30 psi SR Actuator U E/P Valve, 24 Vac, 30 psi SR Actuator V E/P Valve, 120 Vac, 60 psi SR Actuator W E/P Valve, 24 Vac, 60 psi SR Actuator Y E/P Valve, 120 Vac, 60 psi DA Actuator Z E/P Valve, 24 Vac, 60 psi DA Actuator X Not Used	
Valve Body Style		Fail Position/Assembly Configuration	
L Lug-cast Iron (Standard)		O Fail Open 2-way Spring Return C Fail Closed 2-way Spring Return N 2-way Non-spring Return A-D 3-way Spring Return A-D 3-way Non-Spring Return	

Ordering Notes

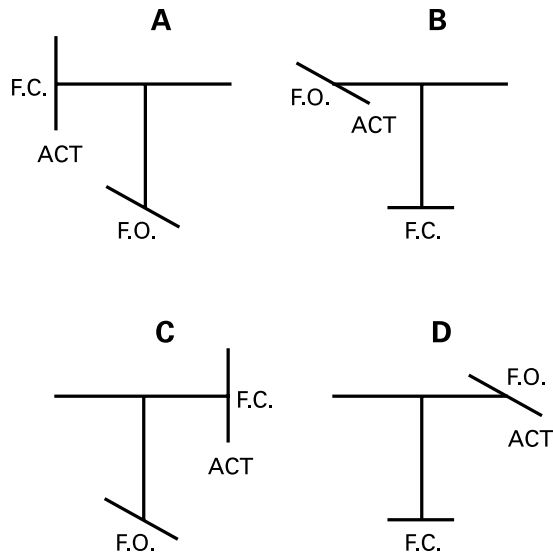
¹2 to 4-inch sizes only ²2 to 6-inch sizes only ³2 to 12-inch sizes only ⁴Also order 499 Ohm Restrictor Kit, **985-124**.

Table Notes

- Not all assembly configurations are available. Consult Customer Care.
- Items marked NON-STD (non-standard) will require factory pricing and may have longer lead times.
- For 3-way valve assemblies with spring return actuators—1 Port Fail Close (F.C.), 1 Port Fail Open (FO).
- For 2-way and 3-way valve assemblies with pneumatic non-spring return actuators, fail last position. For 2-way and 3-way valve assemblies with electric non-spring return actuators, fail position will depend on type of failure and controls installed, consult Customer Care.

Part Number Configuration

3-way Butterfly Valve Configurations



View from Top of Valve/Actuator Assembly
(Shaft or Actuator End)

Key
F.C. Fail Closed
F.O. Fail Open
ACT Actuator Location

D-211

Valves

Specifications

- Valve Size 2 to 20" (51 to 508 mm)
- Body Style Butterfly
- Assembly Type 2-way/3-way
- Materials**
 - Body Cast Iron
 - Disc 316 Stainless Steel
 - Stem 416 Stainless Steel (Full Cut Disc 2 to 12"/
Under Cut Disc 2 to 6")
316 Stainless Steel (Full Cut Disc 14 to 20"/
Under Cut Disc 8 to 20")
 - Seat EPDM
 - Bearing Bronze (Full Cut Disc 2 to 12"/
Under Cut Disc 2 to 6")
Sintered Metal (Full Cut Disc 14 to 20"/
Under Cut Disc 8 to 20")
 - Upper Stem Bushing Polyester
 - Upper Stem Seal NBR
- Controlled Medium Chilled Water, Hot Water
- Temperatures -40 to +250°F
(-40 to +121°C)
- Close-off Ratings Refer to Selection Tables.

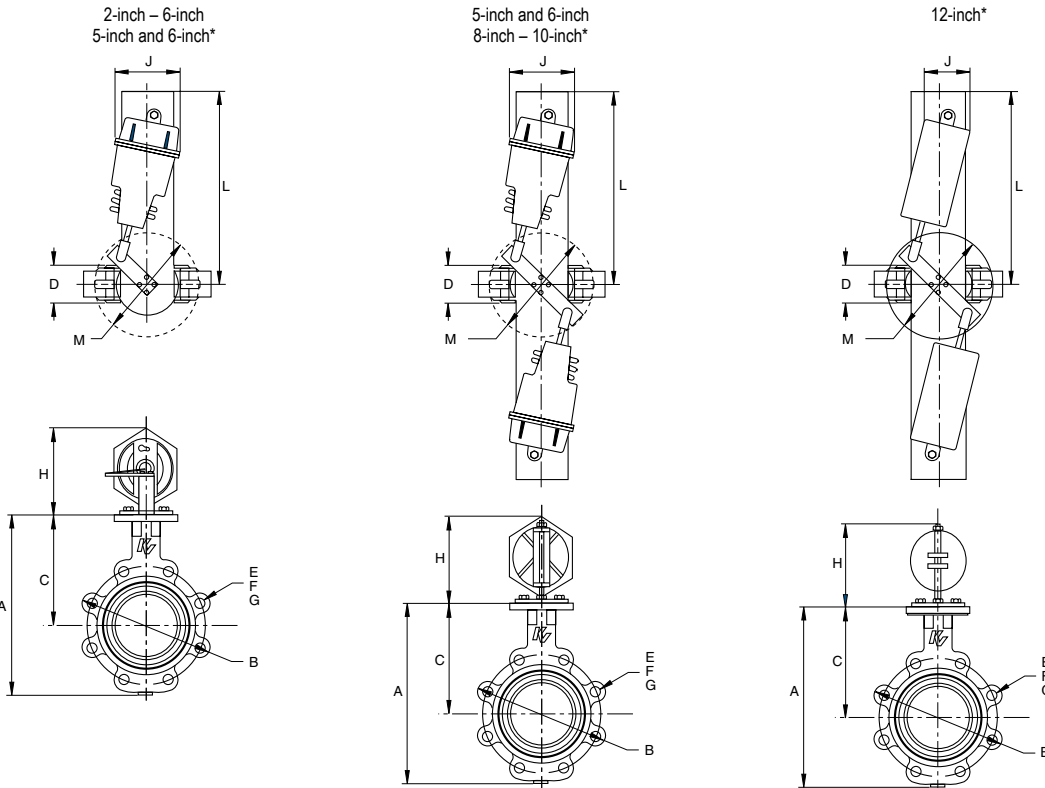
Figure 1 2-way Valve Assemblies with Pneumatic Actuators

Valve Size	A Valve Height	B Body O.D.	C C _L Pipe To Top Plate	D Face/ Face	E Tap Size	F Bolt Circle	G # Bolts	H Actuator Height	H1 Actuator Removal Clearance	J Actuator Width	L C _L Length	M Stroke Clearance	Notes
2"	8.50" (216 mm)	6.00" (153)	5.31" (135 mm)	1.69" (43 mm)	0.625-11 UNC-2B	4.75" (121 mm)	4	7.75" (197 mm)	9.75" (248 mm)	7.13" (181 mm)	18.00" (457 mm)	5.0" (127 mm)	3, 4
2.5"	9.31" (236 mm)	6.75" (172 mm)	5.98" (150 mm)	1.81" (46 mm)	0.625-11 UNC-2B	5.50" (140 mm)	4	7.75" (197 mm)	9.75" (248 mm)	7.13" (181 mm)	18.00" (457 mm)	5.0" (127 mm)	3, 4
3"	10.00" (254 mm)	7.25" (184 mm)	6.31" (160 mm)	1.81" (46 mm)	0.625-11 UNC-2B	6.00" (152 mm)	4	7.75" (197 mm)	9.75" (248 mm)	7.13" (181 mm)	18.00" (457 mm)	5.0" (127 mm)	3, 4
4"	11.38" (288 mm)	8.81" (223 mm)	7.13" (180 mm)	2.06" (52 mm)	0.625-11 UNC-2B	7.50" (191 mm)	8	7.75" (197 mm)	9.75" (248 mm)	7.13" (181 mm)	18.00" (457 mm)	5.0" (127 mm)	3, 4
5"	12.81" (325 mm)	10.00" (254 mm)	7.69" (195 mm)	2.25" (56 mm)	0.750-10 UNC-2B	8.50" (216 mm)	8	7.75" (197 mm)	9.75" (248 mm)	7.13" (181 mm)	18.00" (457 mm)	5.0" (127 mm)	3, 5
5"	12.81" (325 mm)	10.00" (254 mm)	7.69" (195 mm)	2.25" (56 mm)	0.750-10 UNC-2B	8.50" (216 mm)	8	7.75" (197 mm)	9.75" (248 mm)	7.13" (181 mm)	18.00" (457 mm)	5.0" (127 mm)	4
6"	13.94" (354 mm)	11.00" (279 mm)	8.31" (210 mm)	2.25" (56 mm)	0.750-10 UNC-2B	9.50" (241 mm)	8	7.75" (197 mm)	9.75" (248 mm)	7.13" (181 mm)	18.00" (457 mm)	5.0" (127 mm)	3, 5, 6
6"	13.94" (354 mm)	11.00" (279 mm)	8.31" (210 mm)	2.25" (56 mm)	0.750-10 UNC-2B	9.50" (241 mm)	8	7.75" (197 mm)	9.75" (248 mm)	7.13" (181 mm)	18.00" (457 mm)	5.0" (127 mm)	4
8"	16.19" (411 mm)	13.25" (336 mm)	9.50" (249 mm)	2.50" (64 mm)	0.750-10 UNC-2B	11.75" (298 mm)	8	7.75" (197 mm)	9.75" (248 mm)	7.13" (181 mm)	18.00" (457 mm)	7.5" (191 mm)	1, 4, 5, 6
10"	19.00" (483 mm)	15.88" (403 mm)	10.75" (273 mm)	2.50" (64 mm)	0.875-9- UNC-2B	14.25" (362 mm)	12	7.75" (197 mm)	9.75" (248 mm)	7.13" (181 mm)	18.00" (457 mm)	7.5" (191 mm)	1, 4, 5, 6
12"	21.63" (549 mm)	18.63" (473 mm)	12.25" (311 mm)	3.00" (76 mm)	0.875-9- UNC-2B	17.00" (432 mm)	12	9.25" (235 mm)	11.25" (286 mm)	8.25" (210 mm)	17.75" (451 mm)	7.5" (191 mm)	1, 4, 5, 6

Table Notes

- 50 psi shutoff pressure
- For complete assembly details, consult Master HVAC catalog.
- Fullcut assemblies (150 psi shutoff)
- Undercut assemblies (100 psi shutoff) 2-6 inches; (50 psi shutoff) 8-12 inches
- Two actuators included in assembly
- Maximum angle of disc opening is 70°

S2 Series Pneumatic Actuated Two-way Valve Assemblies - 20 psi Pneumatic Spring Return



D-212

Valves

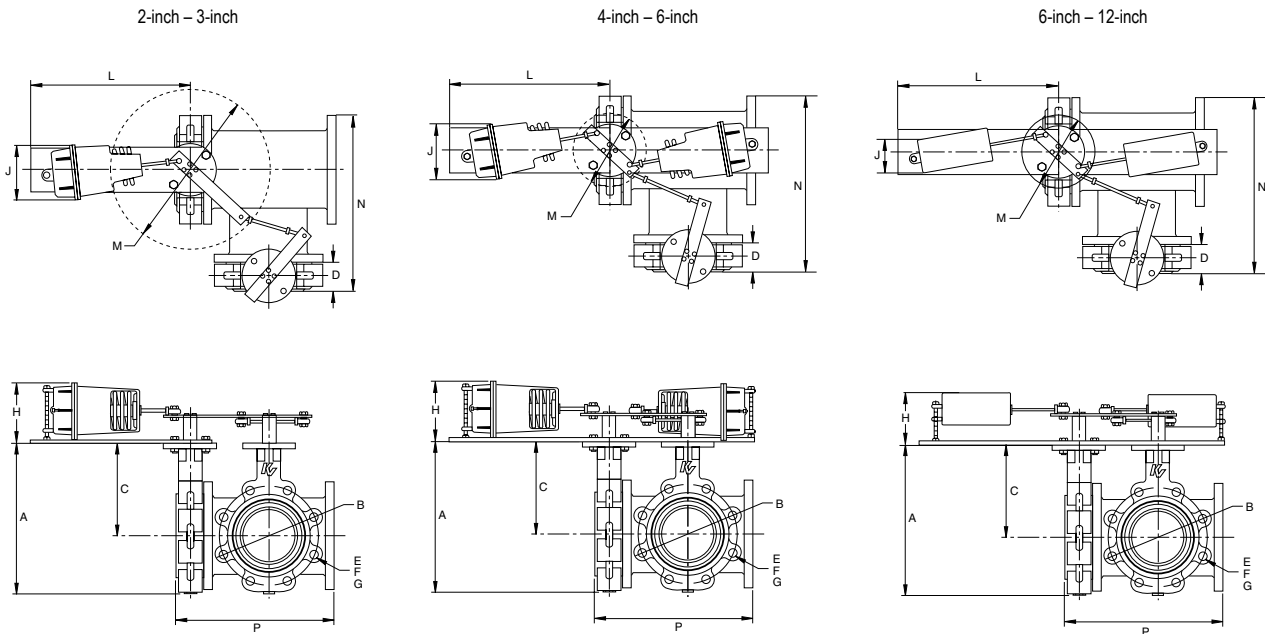
Figure 2 Floating Valve Assemblies with Pneumatic Actuators

Valve Size	A	B	C C _L Pipe To Top Plate	D	E	F	G	H	H1 Actuator Removal Clearance	J	L	M	N	P	Notes
Valve Height	Valve Height	Body O.D.	C _L Pipe To Top Plate	Face/ Face	Tap Size	Bolt Circle	# Bolts	Actuator Height	Actuator Removal Clearance	Actuator Width	C _L Length	Stroke Clearance	Tee Width	Run Length	Notes
2"	8.50" (216 mm)	6.00" (153 mm)	5.31" (135 mm)	1.69" (43)	0.625-11 UNC-2B	4.75" (121 mm)	4	7.75" (197 mm)	9.75" (248 mm)	7.13" (181 mm)	18.00" (457 mm)	8.38" (213 mm)	9.22" (234 mm)	10.69" (272 mm)	3, 4
2.5"	9.31" (236 mm)	6.75" (172 mm)	5.94" (150 mm)	1.81" (46 mm)	0.625-11 UNC-2B	5.50" (140 mm)	4	7.75" (197 mm)	9.75" (248 mm)	7.13" (181 mm)	18.00" (457 mm)	8.38" (213 mm)	10.31" (262 mm)	12.31" (313 mm)	3, 4
3"	10.00" (254 mm)	7.25" (184 mm)	6.31" (160 mm)	1.81" (46 mm)	0.625-11 UNC-2B	6.00" (152 mm)	4	7.75" (197 mm)	9.75" (248 mm)	7.13" (181 mm)	18.00" (457 mm)	10.38" (265 mm)	11.44" (291 mm)	12.88" (327 mm)	3, 4, 6
4"	11.38" (288 mm)	8.81" (223 mm)	7.13" (180 mm)	2.06" (52 mm)	0.625-11 UNC-2B	7.50" (191 mm)	8	7.75" (197 mm)	9.75" (248 mm)	7.13" (181 mm)	18.00" (457 mm)	7.25" (184 mm)	13.13" (333 mm)	15.13" (384 mm)	3, 4, 5, 6
5"	12.19" (310 mm)	10.00" (254 mm)	7.69" (195 mm)	2.25" (56 mm)	0.750-10 UNC-2B	8.50" (216 mm)	8	7.75" (197 mm)	9.75" (248 mm)	7.13" (181 mm)	18.00" (457 mm)	8.69" (221 mm)	14.56" (370 mm)	17.25" (438 mm)	3, 4, 5, 6
6"	13.94" (354 mm)	11.00" (279 mm)	8.31" (210 mm)	2.25" (56 mm)	0.750-10 UNC-2B	9.50" (241 mm)	8	7.75" (197 mm)	9.75" (248 mm)	7.13" (181 mm)	18.00" (457 mm)	10.38" (264)	15.50" (394 mm)	18.25" (464 mm)	4, 5, 6
6"	13.94" (354 mm)	13.25" (337 mm)	8.31" (210 mm)	2.25" (56 mm)	0.750-10 UNC-2B	9.50" (241 mm)	8	9.25" (235 mm)	11.25" (286 mm)	8.25" (210 mm)	20.00" (508 mm)	15.00" (381)	15.50" (394 mm)	18.25" (464 mm)	3, 5, 6
8"	16.19" (411 mm)	13.25" (337 mm)	9.50" (241 mm)	2.50" (64 mm)	0.750-10 UNC-2B	11.75" (298 mm)	8	9.25" (235 mm)	11.25" (286 mm)	8.25" (210 mm)	20.00" (508 mm)	15.00" (381)	17.81" (452 mm)	20.50" (521 mm)	4, 5, 6
10"	19.00" (483 mm)	15.88" (403 mm)	10.75" (273 mm)	2.50" (64 mm)	0.875-9- UNC-2B	14.25" (362 mm)	12	9.25" (235 mm)	11.25" (286 mm)	8.25" (210 mm)	20.00" (508 mm)	15.00" (381)	21.38" (543 mm)	24.25" (622 mm)	4, 5, 6
12"	21.63" (549 mm)	18.63" (473 mm)	12.25" (311 mm)	3.00" (76 mm)	0.875-9- UNC-2B	17.00" (432 mm)	12	9.25" (235 mm)	11.25" (286 mm)	8.25" (210 mm)	20.00" (508 mm)	15.00" (381)	23.41" (595 mm)	27.00" (686 mm)	4, 5, 6

Table Notes

- 50 psi shutoff pressure
- For complete assembly details, consult master catalog
- Full cut assemblies (150 psi shutoff)
- Undercut assemblies (100 psi shutoff) 2-6 inches; (50 psi shutoff) 8-12 inches
- Two actuators included in assembly
- Maximum angle of disc opening is 70°

S2 Series Pneumatic Actuated Three-way Valve Assemblies - 20 psi Pneumatic Spring Return



Drawings shown are for Assemblies A & B. For Assemblies C & D, the valve and actuator are on right-hand side of the run of tee.

Figure 3 2-way OpenAir Electric Actuator Valve Assemblies

Size	A	B	C	D	E Tap Size	F Bolt Circle	G # Bolts	H	H1	H2	J	K	L	Notes
2"	8.5" (216 mm)	6" (153 mm)	5.31" (135 mm)	1.69" (43 mm)	0.625-11 UNC-2B	4.75" (121 mm)	4	3.25" (83 mm)	5.25" (133 mm)	–	4.00" (102 mm)	10.35" (263 mm)	8.35" (212 mm)	1, 2, 4, 5
2.5"	9.31" (236 mm)	6.75" (172 mm)	5.98" (135 mm)	1.81" (46 mm)	0.625-11 UNC-2B	5.50" (140 mm)	4	3.25" (83 mm)	5.25" (133 mm)	–	4.00" (102 mm)	10.35" (263 mm)	8.35" (212 mm)	1, 2, 4, 5
3"	10" (254 mm)	7.25" (184 mm)	6.31" (160 mm)	1.81" (46 mm)	0.625-11 UNC-2B	6.00" (152 mm)	4	3.25" (83 mm)	5.25" (133 mm)	–	4.00" (102 mm)	10.35" (263 mm)	8.35" (212 mm)	1, 2, 4, 5
4"	11.38" (288 mm)	8.81" (223 mm)	7.14" (180 mm)	2.06" (52 mm)	0.625-11 UNC-2B	6.00" (152 mm)	4	3.25" (83 mm)	5.25" (133 mm)	–	4.00" (102 mm)	10.35" (263 mm)	8.35" (212 mm)	1, 2, 5
4"	11.13" (283 mm)	8.75" (222 mm)	7.00" (178 mm)	2.00" (51 mm)	0.625-11 UNC-2B	7.50" (191 mm)	8	3.25" (83 mm)	9.00" (229 mm)	7.00" (178 mm)	4.00" (102 mm)	14.84" (377 mm)	12.84" (327 mm)	1, 2, 3, 4
5"	12.13" (307 mm)	19" (254 mm)	7.50" (191 mm)	2.13" (54 mm)	0.625-11 UNC-2B	8.50" (216 mm)	8	3.25" (83 mm)	9.00" (229 mm)	7.00" (178 mm)	4.00" (102 mm)	14.84" (377 mm)	12.84" (327 mm)	1, 2, 3, 5
6"	13.25" (337 mm)	11.00" (279 mm)	8.00" (203 mm)	2.13" (54 mm)	0.625-11 UNC-2B	9.50" (241 mm)	8	3.25" (83 mm)	9.00" (229 mm)	7.00" (178 mm)	4.00" (102 mm)	14.84" (377 mm)	12.84" (327 mm)	1, 2, 3, 5

Table Notes

- 100 psi shutoff pressure
- Undercut assemblies
- Tandem actuators
- Spring return
- Non-spring return

D-214

Valves

G Series Electric Actuated Two-way Valve Assemblies

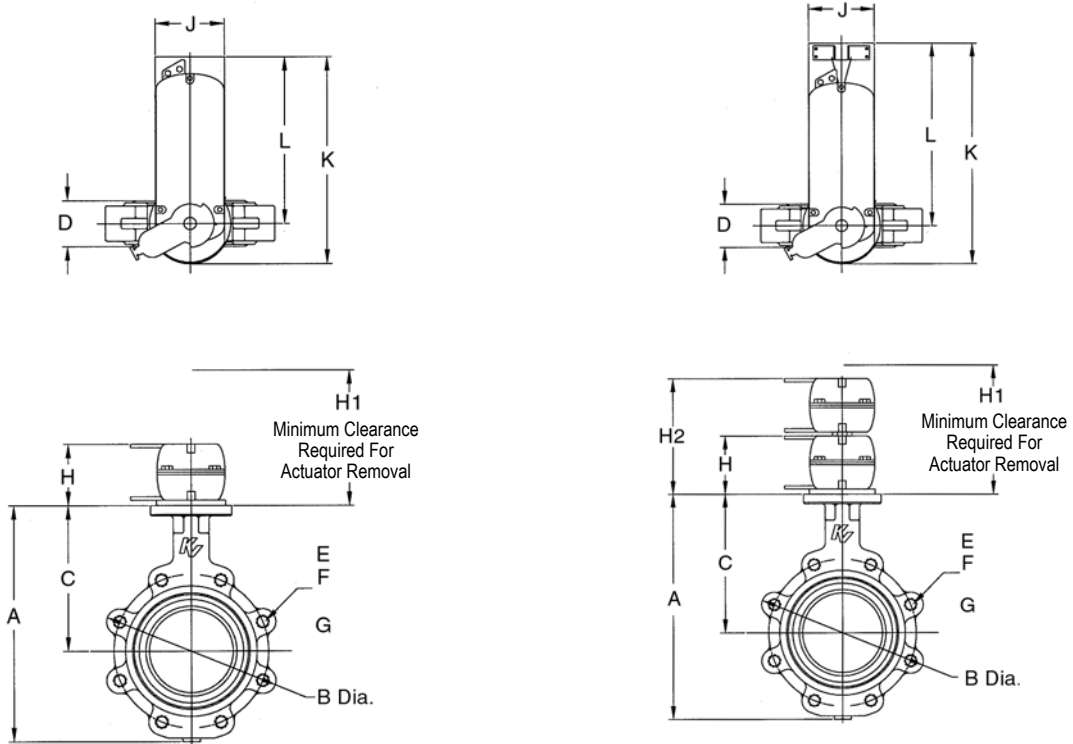


Figure 4 Floating OpenAir Electric Actuator Valve Assemblies

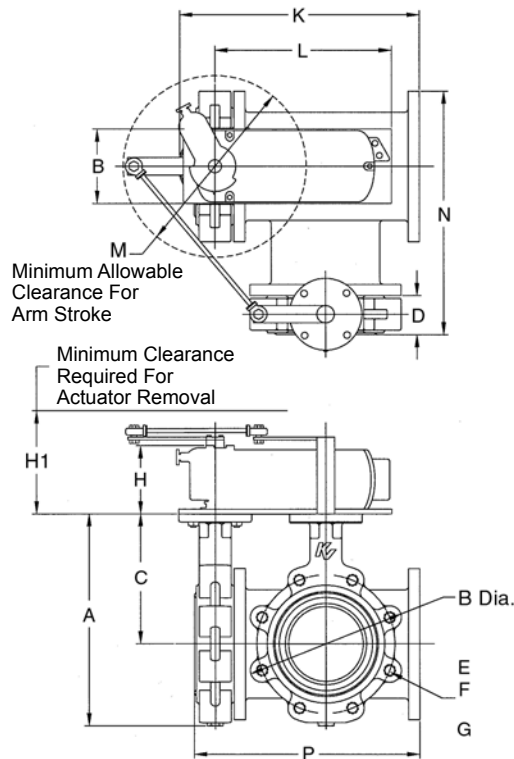
Size	A	B	C	D	E Tap Size	F Bolt Circle	G # Bolts	H	H1	H2	J	K	L	M
2"	8.50" (216 mm)	6.00" (153 mm)	5.31" (135 mm)	1.69" (43 mm)	0.625-11 UNC-2B	4.75" (121 mm)	4	3.25" (83 mm)	5.25" (133 mm)	—	4.00" (102 mm)	11.84" (301 mm)	8.35" (212 mm)	7.25" (184 mm)
2.5"	9.31" (236 mm)	6.75" (172 mm)	5.94" (150 mm)	1.81" (46 mm)	0.625-11 UNC-2B	5.50" (140 mm)	4	3.25" (83 mm)	5.25" (133 mm)	—	4.00" (102 mm)	13.41" (341 mm)	8.35" (212 mm)	7.25" (184 mm)
3"	10.00" (254 mm)	7.25" (184 mm)	6.31" (160 mm)	1.81" (46 mm)	0.625-11 UNC-2B	6.0" (152 mm)	4	3.25" (83 mm)	5.25" (133 mm)	—	4.00" (102 mm)	13.98" (355 mm)	8.35" (212 mm)	7.25" (184 mm)
3"	10.00" (254 mm)	7.25" (184 mm)	6.31" (160 mm)	1.81" (46 mm)	0.625-11 UNC-2B	6.00" (1.52 mm)	4	3.25" (83 mm)	9.00" (229 mm)	7.00 (178 mm)	4.00" (102 mm)	13.98" (355 mm)	8.35" (212 mm)	7.25" (184 mm)
4"	11.38" (288 mm)	8.81" (223 mm)	7.13" (180 mm)	2.06" (52 mm)	0.625-11 UNC-2B	7.50" (191 mm)	8	3.25" (83 mm)	5.25" (133 mm)	—	4.00" (102 mm)	16.06" (408 mm)	8.35" (212 mm)	7.25" (184 mm)
4"	11.13" (283 mm)	8.75" (222 mm)	7.00" (178 mm)	2.00" (51 mm)	0.625-11 UNC-2B	7.50" (191 mm)	8	3.25" (83 mm)	9.00" (229 mm)	7.00" (178 mm)	4.00" (102 mm)	16.06" (408 mm)	16.0" (212 mm)	6.36" (184 mm)
5"	12.19" (310 mm)	10.00" (254 mm)	7.50" (191 mm)	2.13" (54 mm)	0.750-10 UNC-2B	8.50" (216 mm)	8	3.25" (83 mm)	9.00" (229 mm)	7.00" (178 mm)	4.00" (102 mm)	18.06" (459 mm)	8.35" (212 mm)	7.25" (184 mm)
6"	13.25" (337 mm)	11.00" (279 mm)	8.00" (203 mm)	2.13" (54 mm)	0.750-10 UNC-2B	9.50" (241 mm)	8	3.25" (83 mm)	9.00" (229 mm)	7.00" (178 mm)	4.00" (102 mm)	4.00" (102 mm)	19.06" (484 mm)	7.25" (184 mm)

Size	N	P	Notes
2"	9.22" (234 mm)	10.69" (272 mm)	1, 2, 4, 5
2.5"	10.31" (266 mm)	12.31" (313 mm)	1, 2, 4, 5
3"	11.44" (291 mm)	12.88" (327 mm)	1, 2, 5
3"	11.44" (291 mm)	12.88" (327 mm)	1, 2, 3, 4
4"	13.06" (332 mm)	15.06" (383 mm)	1, 2, 5
4"	13.06" (332 mm)	15.06" (383 mm)	1, 2, 3, 4
5"	14.44" (367 mm)	17.13" (435 mm)	1, 2, 3, 5
6"	15.38" (391 mm)	18.13" (460 mm)	1, 2, 3, 5

Table Notes

- 100 psi shutoff pressure
- Undercut assemblies
- Tandem actuators
- Spring return
- Non-spring return

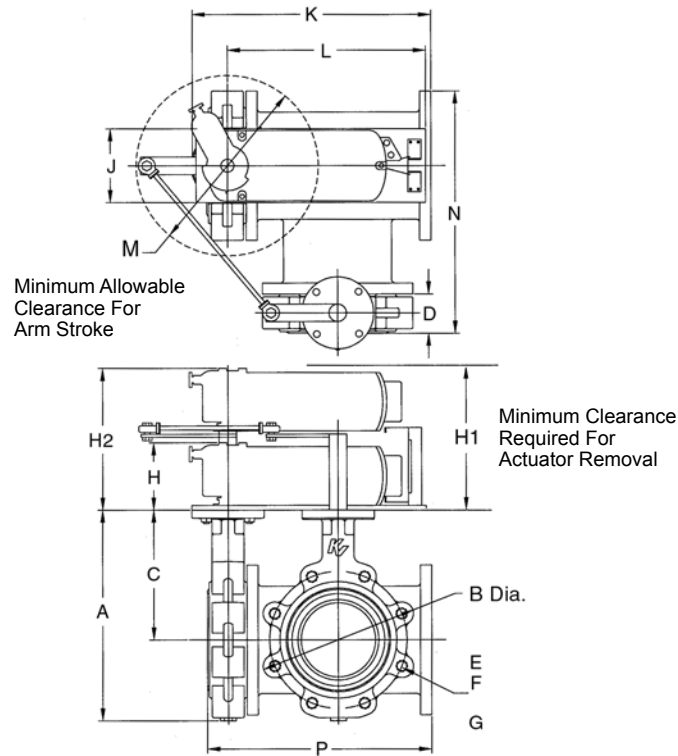
G Series Electric Actuated Three-way Valve Assemblies



Drawings shown are for Assemblies A & B. For Assemblies C & D, the valve and actuator are on the left-hand side of the run of tee.

Figure 4 Continued

G Series Electric Actuated Three-way Valve Assemblies



Drawings shown are for Assemblies A & B. For Assemblies C & D, the valve and actuator are on the right-hand side of the run of tee.

Figure 5 2-way EPI Electric Actuator Valve Assemblies

Valve Size	A Valve Height	B Body O.D.	C C ₁ Pipe To Top Plate	D Face/Face	E Actuator Height	F Actuator Removal Clearance	G Pipe C ₁ To H.W.	H H.W. D.A.	J Valve CL to aH.W. Ring	K Total Width	Actuator Model	Notes
2"	8.50" (216 mm)	6.00" (152 mm)	5.31" (135 mm)	1.69" (43 mm)	7.75" (196 mm)	6.38" (162 mm)	4.56" (115 mm)	5.00" (127 mm)	4.94" (125 mm)	7.38" (200 mm)	EPI-3	1, 2, 3, 4
2.5"	9.31" (237 mm)	6.75" (171 mm)	5.94" (151 mm)	1.81" (46 mm)	7.75" (196 mm)	6.38" (162 mm)	4.56" (115 mm)	5.00" (127 mm)	4.94" (125 mm)	7.38" (200 mm)	EPI-3	1, 2, 3, 4
3"	10.00" (254 mm)	7.25" (184 mm)	6.31" (160 mm)	1.81" (46 mm)	7.75" (196 mm)	6.38" (162 mm)	4.56" (115 mm)	5.00" (127 mm)	4.94" (125 mm)	7.38" (200 mm)	EPI-3	1, 2, 3, 4
4"	11.38" (289 mm)	8.81" (224 mm)	7.13" (181 mm)	2.06" (52 mm)	9.63" (244 mm)	6.38" (162 mm)	6.50" (165 mm)	8.00" (203 mm)	7.13" (181 mm)	10.94" (278 mm)	EPI-6	2, 3, 4
4"	11.38" (289)	8.81" (224 mm)	7.13" (181 mm)	2.06" (52 mm)	7.75" (196 mm)	6.38" (162 mm)	4.56" (116 mm)	5.00" (127 mm)	4.94" (125 mm)	7.38" (200 mm)	EPI-3	1
5"	12.81" (325 mm)	10.00" (254 mm)	7.69" (195 mm)	2.25" (56 mm)	9.63" (244 mm)	6.38" (162 mm)	6.50" (165 mm)	8.00" (203 mm)	7.13" (181 mm)	10.94" (278 mm)	EPI-13	3, 4
5"	12.81" (325 mm)	10.00" (254 mm)	7.69" (195 mm)	2.25" (56 mm)	9.63" (244 mm)	6.38" (162 mm)	6.50" (165 mm)	8.00" (203 mm)	7.13" (181 mm)	10.94" (278 mm)	EPI-6	1, 2
6"	13.94" (354 mm)	11.00" (279 mm)	8.31" (210 mm)	2.25" (56 mm)	9.63" (244 mm)	6.38" (162 mm)	6.50" (165 mm)	8.00" (203 mm)	7.13" (181 mm)	10.94" (278 mm)	EPI-13	2, 3, 4
6"	13.94" (354 mm)	11.00" (279 mm)	8.31" (210 mm)	2.25" (56 mm)	9.63" (244 mm)	6.38" (162 mm)	6.50" (165 mm)	8.00" (203 mm)	7.13" (181 mm)	10.94" (278 mm)	EPI-6	1
8"	16.44" (418 mm)	13.25" (337 mm)	9.50" (241 mm)	2.38" (60)	13.00" (330 mm)	7.88" (200 mm)	8.25" (210 mm)	12.00" (305 mm)	10.31" (262 mm)	4.00" (102 mm)	EPI-36	2, 3,
8"	16.19" (411 mm)	13.25" (337 mm)	9.50" (241 mm)	2.50" (64 mm)	9.63" (244 mm)	6.38" (162 mm)	6.50" (165 mm)	8.00" (203 mm)	7.13" (181 mm)	10.94" (278 mm)	EPI-6	1
10"	19.00" (483 mm)	16.00" (406 mm)	10.88" (276 mm)	2.69" (68 mm)	13.00" (330 mm)	7.88" (200 mm)	8.25" (210 mm)	12.00" (305 mm)	10.31" (262 mm)	4.00" (102 mm)	EPI-36	3, 4
10"	19.00" (483 mm)	15.90" (403 mm)	10.80" (273 mm)	2.50" (64 mm)	13.00" (330 mm)	6.38" (162 mm)	8.25" (210 mm)	12.00" (305 mm)	10.31" (262 mm)	4.00" (102 mm)	EPI-13	1, 2
12"	21.63" (549 mm)	18.75" (476 mm)	12.25" (311 mm)	3.13" (80 mm)	13.00" (330 mm)	7.88" (200 mm)	8.25" (210 mm)	12.00" (305 mm)	10.31" (262 mm)	4.00" (102 mm)	EPI-51	3
12"	21.63" (549 mm)	18.60" (473 mm)	12.30" (311 mm)	3.00" (76 mm)	13.00" (330 mm)	7.88" (200 mm)	8.25" (210 mm)	12.00" (305 mm)	10.31" (262 mm)	4.00" (102 mm)	EPI-36	1, 2
12"	21.63" (549 mm)	18.60" (473 mm)	12.30" (311 mm)	3.00" (76 mm)	17.375" (441 mm)	7.88" (200 mm)	8.25" (210 mm)	12.00" (305 mm)	16.132" (414 mm)	23.375" (594 mm)	EPI-91	4

Table Notes

- Undercut two-position assemblies
- Undercut modulating assemblies
- Fullcut two-position assemblies
- Fullcut modulating assemblies

Two-way Electric Actuated Valves

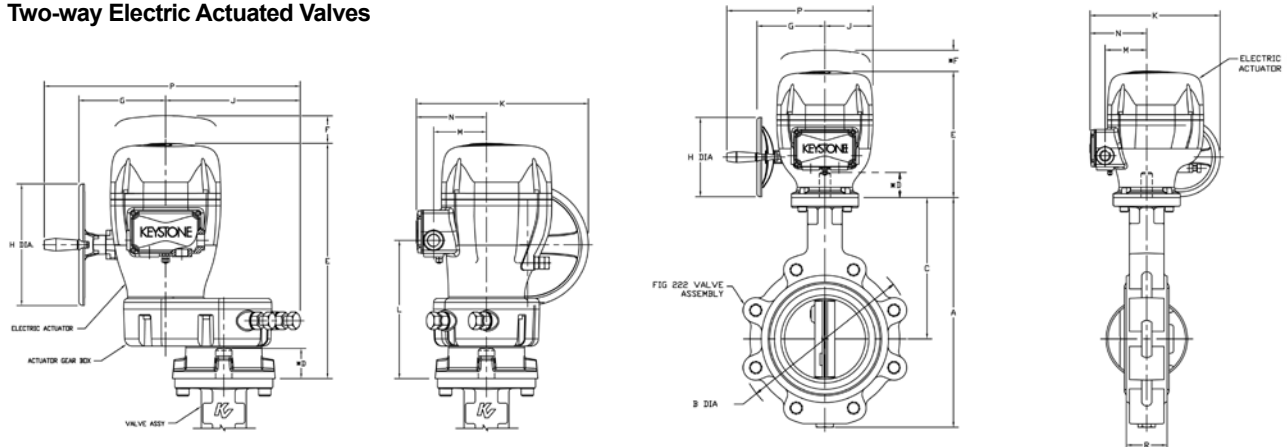


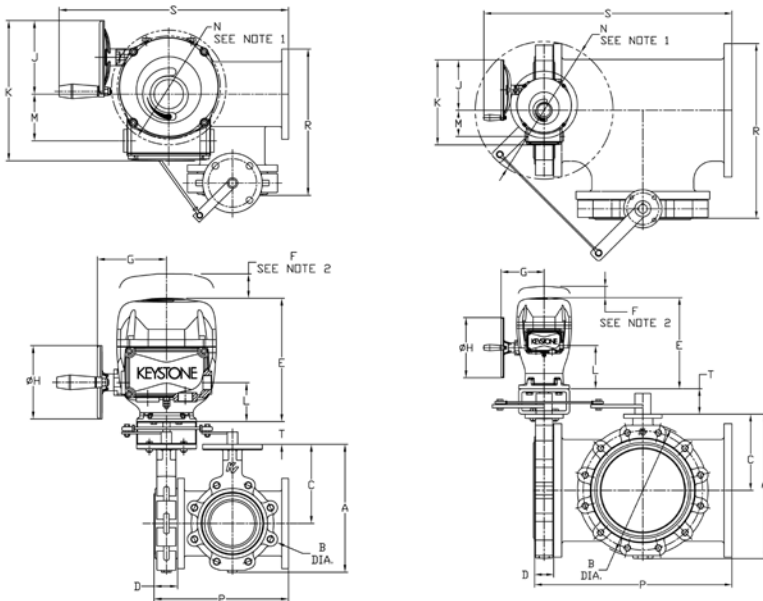
Figure 6 Floating EPI Electric Actuator Valve Assemblies

Valve Size	A Valve Height	B Body O.D.	C C _L Pipe To Top Plate	D Face/ Face	Tap Size	Bolt Circle	# Bolts	F Actuator Removal Clearance	P Pipe Run Height	R Total Width	S Bracket Length	T Bracket Height	Actuator Model	Notes
2	8.50" (216 mm)	6.00" (152 mm)	5.31" (135 mm)	1.69" (43 mm)	0.625-11 UNC-2B	4.75" (121 mm)	4	6.38" (162 mm)	10.69" (272 mm)	9.22" (234 mm)	14.38" (365 mm)	4.00" (102 mm)	EPI-3	1, 3
2	8.50" (216 mm)	6.00" (152 mm)	5.31" (135 mm)	1.69" (43 mm)	0.625-11 UNC-2B	4.75" (121 mm)	4	6.38" (162 mm)	10.69" (272 mm)	9.22" (234 mm)	14.38" (365 mm)	4.00" (102 mm)	EPI-6	2, 4
2.5	9.31" (236 mm)	6.75" (171 mm)	5.94" (151 mm)	1.81" (46 mm)	0.625-11 UNC-2B	5.50" (140 mm)	4	6.38" (162 mm)	12.31" (313 mm)	10.31" (262 mm)	15.95" (405 mm)	4.00" (102 mm)	EPI-6	2, 3, 4
2.5	9.31" (236 mm)	6.75" (171 mm)	5.94" (151 mm)	1.81" (46 mm)	0.625-11 UNC-2B	5.50" (140 mm)	4	6.38" (162 mm)	12.31" (313 mm)	10.31" (262 mm)	15.95" (405 mm)	4.00" (102 mm)	EPI-3	1
3	10.00" (254 mm)	7.25" (184 mm)	6.31" (160 mm)	1.81" (46 mm)	0.625-11 UNC-2B	6.00" (152 mm)	4	6.38" (162 mm)	12.88" (327 mm)	11.44" (291 mm)	16.52" (420 mm)	4.00" (102 mm)	EPI-6	2, 3, 4
3	10.00" (254 mm)	7.25" (184 mm)	6.31" (160 mm)	1.81" (46 mm)	0.625-11 UNC-2B	6.00" (152 mm)	4	6.38" (162 mm)	12.88" (327 mm)	11.44" (291 mm)	16.52" (420 mm)	4.00" (102 mm)	EPI-3	1
4	11.38" (289 mm)	8.81" (224 mm)	7.13" (181 mm)	2.06" (52 mm)	0.625-11 UNC-2B	7.50" (191 mm)	8	6.38" (162 mm)	15.13" (384 mm)	13.13" (334 mm)	20.59" (523 mm)	4.00" (102 mm)	EPI-13	4
4	11.38" (289 mm)	8.81" (224 mm)	7.13" (181 mm)	2.06" (52 mm)	0.625-11 UNC-2B	7.50" (191 mm)	8	6.38" (162 mm)	15.13" (384 mm)	13.13" (334 mm)	20.59" (523 mm)	4.00" (102 mm)	EPI-6	1, 2, 3
5	12.81" (325 mm)	10.00" (254 mm)	7.69" (195 mm)	2.25" (57 mm)	0.750-10 UNC-2B	8.50" (216 mm)	8	6.38" (162 mm)	17.25" (438 mm)	14.56" (370 mm)	22.63" (575 mm)	4.00" (102 mm)	EPI-13	1, 2, 3, 4
6	13.94" (354 mm)	11.00" (279 mm)	8.31" (211 mm)	2.25" (57 mm)	0.750-10 UNC-2B	9.50" (241 mm)	8	7.88" (200 mm)	18.25" (464 mm)	15.50" (394 mm)	23.63" (600 mm)	4.00" (102 mm)	EPI-36	3, 4
6	13.94" (354 mm)	11.00" (279 mm)	8.31" (211 mm)	2.25" (57 mm)	0.750-10 UNC-2B	9.50" (241 mm)	8	6.38" (162 mm)	18.25" (464 mm)	15.50" (394 mm)	23.63" (600 mm)	4.00" (102 mm)	EPI-13	1, 2
8	16.44" (418 mm)	13.25" (337 mm)	9.50" (241 mm)	2.38" (60 mm)	0.750-10 UNC-2B	11.75" (298 mm)	8	7.88" (200 mm)	20.38" (518 mm)	17.69" (449 mm)	25.66" (652 mm)	4.00" (102 mm)	EPI-51	4
8	16.19" (411 mm)	13.25" (337 mm)	9.50" (241 mm)	2.50" (64 mm)	0.750-10 UNC-2B	11.75" (298 mm)	8	7.88" (200 mm)	20.50" (521 mm)	17.81" (452 mm)	25.69" (652 mm)	4.00" (102 mm)	EPI-36	1, 2, 3
10	19.00" (483 mm)	16.00" (406 mm)	10.88" (276 mm)	2.69" (68 mm)	0.875-9 UNC-2B	14.25" (361 mm)	12	7.88" (200 mm)	26.69" (678 mm)	23.09" (583 mm)	33.81" (859 mm)	4.00" (102 mm)	EPI-91	3, 4
10	19.00" (483 mm)	15.88" (403 mm)	10.75" (273 mm)	2.50" (64 mm)	0.875-9 UNC-2B	14.25" (361 mm)	12	7.88" (200 mm)	24.50" (622 mm)	21.38" (543 mm)	31.50" (800 mm)	4.00" (102 mm)	EPI-36	1, 2
12	21.63" (549 mm)	18.75" (476 mm)	12.25" (311 mm)	3.13" (80 mm)	0.875-9 UNC-2B	17.00" (432 mm)	12	7.88" (200 mm)	27.13" (688 mm)	23.53" (598 mm)	33.81" (859 mm)	4.00" (102 mm)	EPI-91	3, 4
12	21.63" (549 mm)	18.60" (473 mm)	12.30" (311 mm)	3.00" (76 mm)	0.875-9 UNC-2B	17.00" (432 mm)	12	7.88" (200 mm)	27.00" (686 mm)	23.41" (595 mm)	33.75" (857 mm)	4.00" (102 mm)	EPI-36/51	1, 2

Table Notes

- 1. Undercut position assemblies
- 2. Undercut modulating assemblies
- 3. Fullcut 2-position assemblies
- 4. Full cut modulating assemblies

Three-way Electric Actuated, Two-Position and Modulating Valve Assemblies



Drawings shown are for Assemblies A & B. For Assemblies C & D, the valve and actuator are on the right-hand side of the run of tee.